

SRC/CVT Series Media Converter

Slim Type Mounting

Installation Guide

V1.0

1. Introduction

This Installation Guide is for **SRC/CVT Slim Type Mounting**, which is suitable for the SRC and CVT series media converter.

For wall mounting, please refer to the **SRC/CVT Slim Wall Mount Kit**.

For DIN-rail mounting, please refer to the **SRC/CVT Slim Wall+DIN Rail Kit**.

Follow the guide to install the SRC or CVT series models in slim mounting type.

2. Order Information

We offer two combinations for you to choose from, and the item listed below should be in the package.

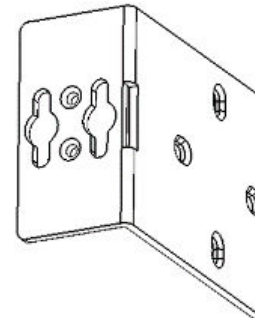
SRC/CVT Slim Wall Mount Kit

- 1 x wall mounting bracket (L-shaped) ①
- screws

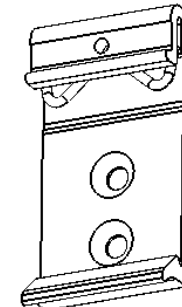
SRC/CVT Slim Wall+DIN Rail Kit

- 1 x wall mounting bracket (L-shaped) ①
- 1 x DIN-rail bracket ②
- screws

①

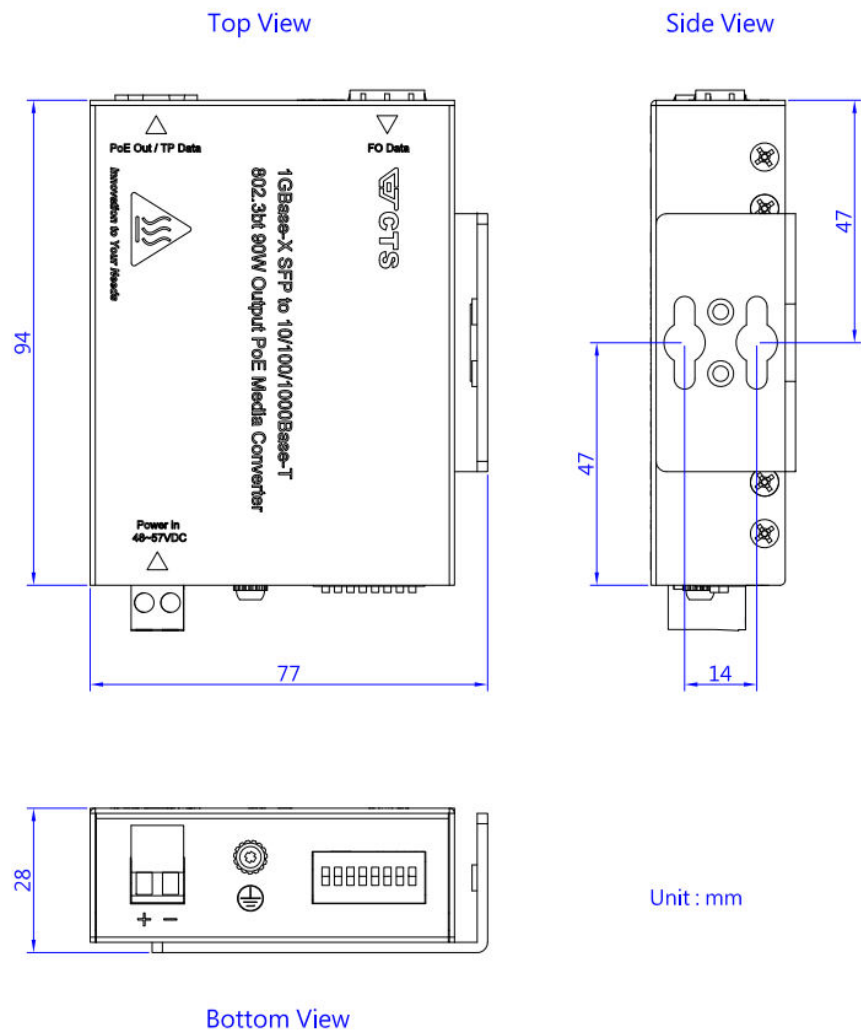


②

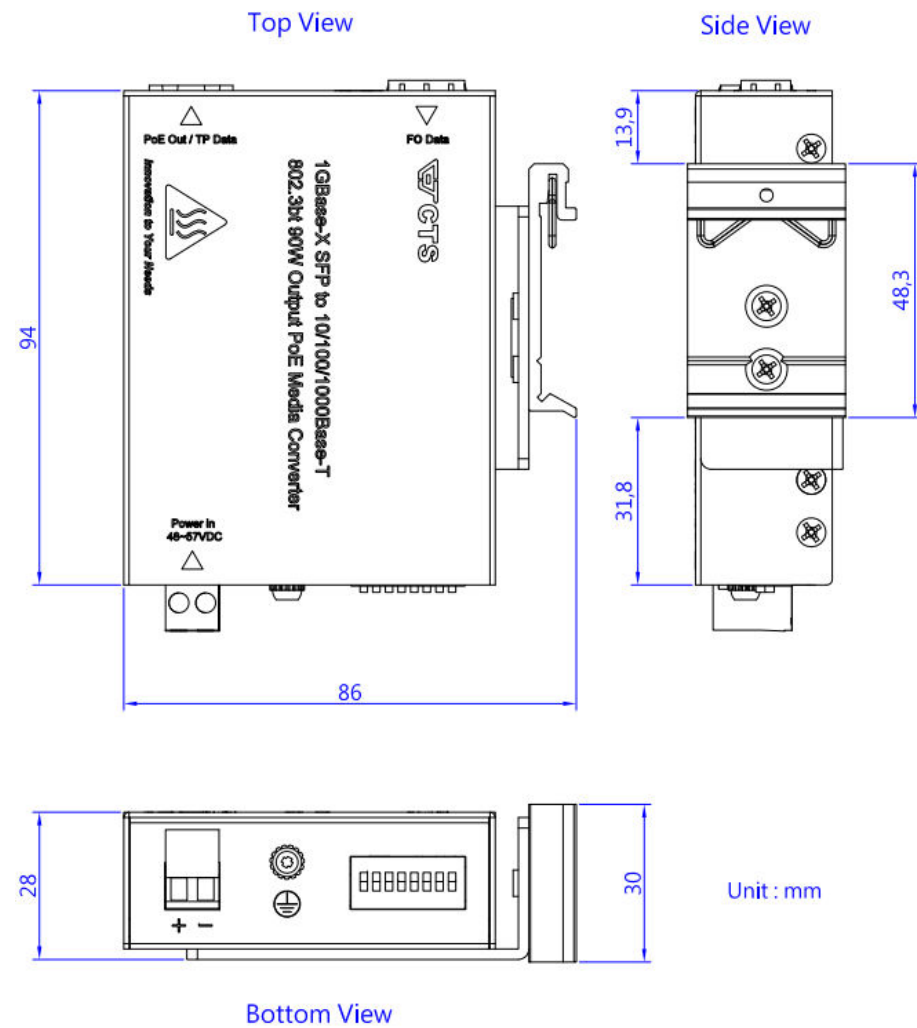


3. Dimension

- Wall mounting



- DIN-rail mounting



The following diagrams will take SRC-3002 for example.

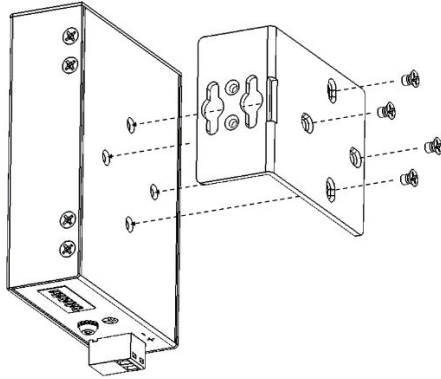
4. Installation of Slim Type Wall Mounting

Step 1.

Align the wall mounting bracket with the media converter according to the diagram below.

Step 2.

Align the four screws with the designated screw holes and tighten them.

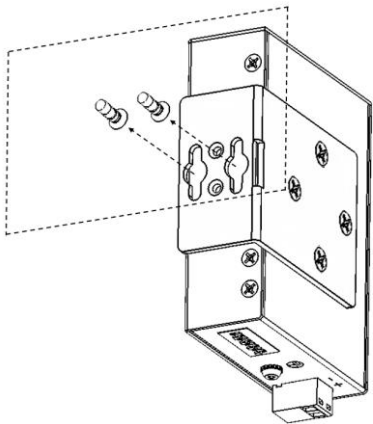


Step 3.

Secure two suitable screws to the wall.

Step 4.

Align the media converter with the screws and hang it on the wall according to the diagram.



5. Installation of Slim Type DIN-Rail Mounting

Step 1.

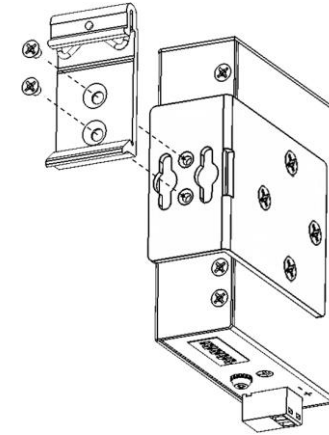
Follow Section 4, 'Installation of Slim Type Wall Mount,' step 1 and step 2 to install the wall mount bracket first.

Step 2.

Align the DIN-rail bracket with the wall mounting bracket.

Step 3.

Align the two screws with the screw holes and tighten them.



Step 4.

Hang the media converter on the DIN-rail.

